

LE4200

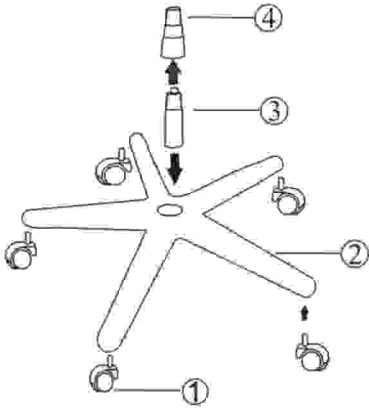
ASSEMBLY INSTRUCTURE

REMOVE ALL ITEMS FROM THE CARTON .VERIFY ALL PIECES BEFORE ASSEMBLY.

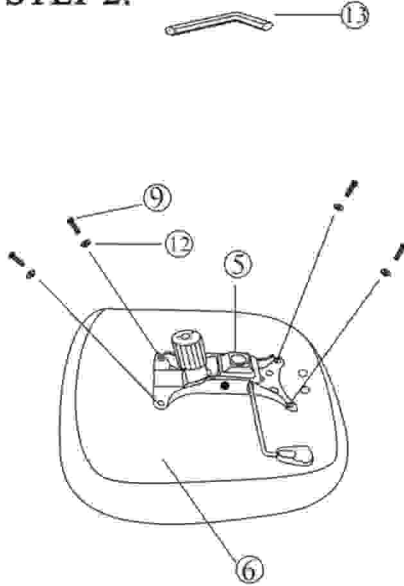
PARTS LIST

KEY	DESCRIPTION	QTY	KEY	DESCRIPTION	QTY	KEY	DESCRIPTION	QTY
1	CASTER	5	6	SEAT CUSHION	1	11	SCREW M8*60	5
2	BASE	1	7	ARM REST	2	12	WASHER 6.5*14*1.5	10
3	SEAT POST	1	8	BACK CUSHION	1	13	ALLEN WRENCH	1
4	SEAT POST COVER	1	9	SCREW 1/4"*3/4"	5	14	ARM CAP	5
5	MECHANISM	1	10	SCREW 1/4"*1"	5			

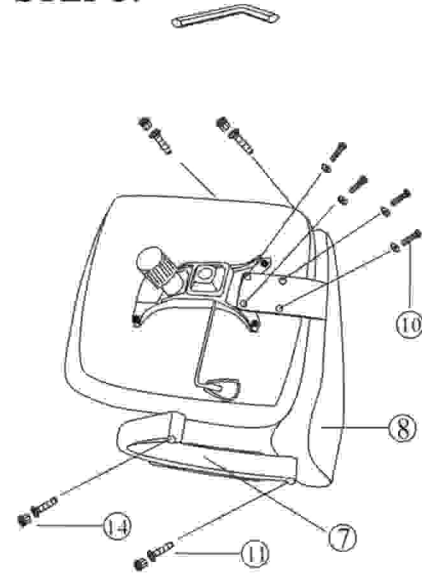
STEP 1.



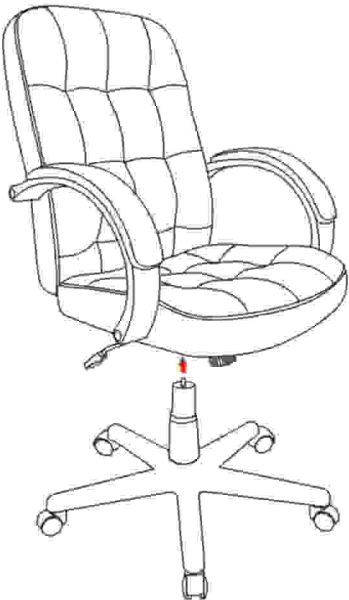
STEP 2.



STEP 3.



STEP 4.



STEP 5.



PREVENTIVE MAINTENANCE AND WARNING

- THIS PRODUCT CAN ONLY BE USED BY ONE PERSON AT A TIME.
- DO NOT USE THE PRODUCT AS STEP STOOL OR LADDER.
- DO NOT USE THE PRODUCT UNLESS ALL SCREWS ARE TIGHT. CHECK ALL SCREWS EVERY SIX MONTHS AT LEAST.
- STOP USING THE PRODUCT IF ANY PART OF IT IS MISSING. DO NOT USE IT UNTIL REPAIR IS MADE WITH THE PARTS OFFERED BY THE MANUFACTURER.
- FAILURE TO FOLLOW THIS WARNING CAN RESULT IN SERIOUS INJURY.

FOR ASSEMBLY ASSISTANCE, CALL
 CUSTOMER SERVICE: 1-800-637-0005
 METRO NY: 1-516-481-9500
 9:00AM TO 5:00PM (EASTERN)