

FT5551

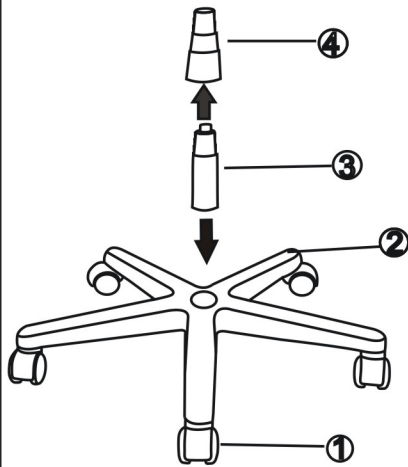
ASSEMBLY INSTRUCTION

REMOVE ALL ITEMS FROM THE CARTON . VERIFY ALL PIECES BEFORE ASSEMBLY.

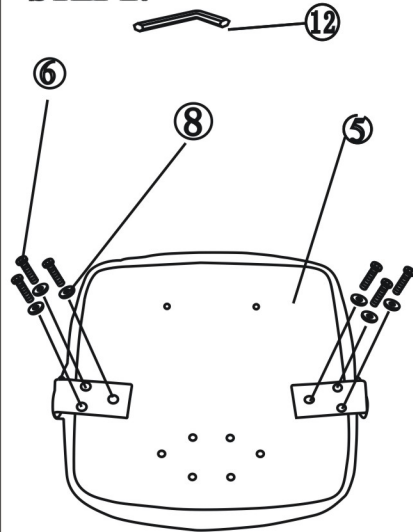
PARTS LIST

KEY	QTY	DESCRIPTION	KEY	QTY	DESCRIPTION	KEY	QTY	DESCRIPTION
1	5	CASTER	5	1	SEAT CUSHION	9	1	MECHANISM
2	1	BASE	6	11	SCREWS 1/4" X 1" (BLUE)	10	1	SET RIGHT AND LEFT ARM
3	1	SEAT POST	7	5	SCREWS 1/4" X 3/4" (RED)	11	1	BACK CUSHION
4	1	SEAT POST COVER	8	15	SMALL WASHER	12	1	ALLEN WRENCH

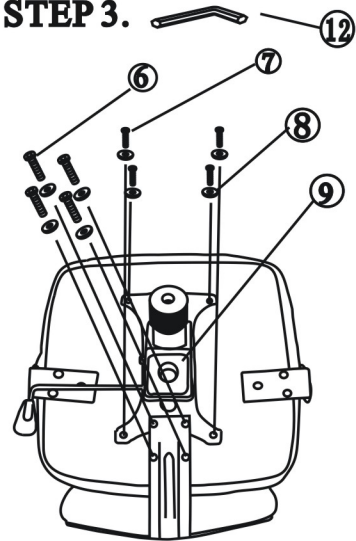
STEP 1.



STEP 2.

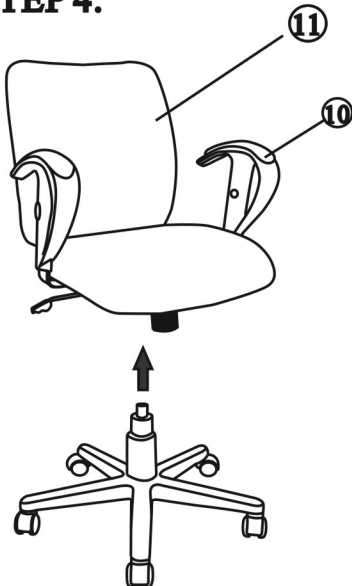


STEP 3.



BACKREST BRACKET SHOULD BE ATTACHED ON TOP OF THE MECHANISM

STEP 4.



STEP 5.



PREVENTIVE MAINTENANCE AND WARNING

- USE THIS PRODUCT ONLY FOR SEATING ONE PERSON AT A TIME.
- DO NOT USE CHAIR AS STEP STOOL/LADDER.
- DO NOT USE CHAIR UNLESS ALL BOLTS, SCREWS ARE TIGHT. AT LEAST EVERY SIX MONTHS, CHECK ALL BOLTS, SCREWS TO BE SURE THEY ARE TIGHT.
- IF ANY PARTS ARE MISSING, BROKEN, DAMAGED OR WORN, STOP USE OF THE PRODUCT UNTIL REPAIRS ARE MADE USING FACTORY AUTHORIZED PARTS.
- FAILURE TO FOLLOW THESE WARNINGS CAN RESULT IN SERIOUS INJURY.