

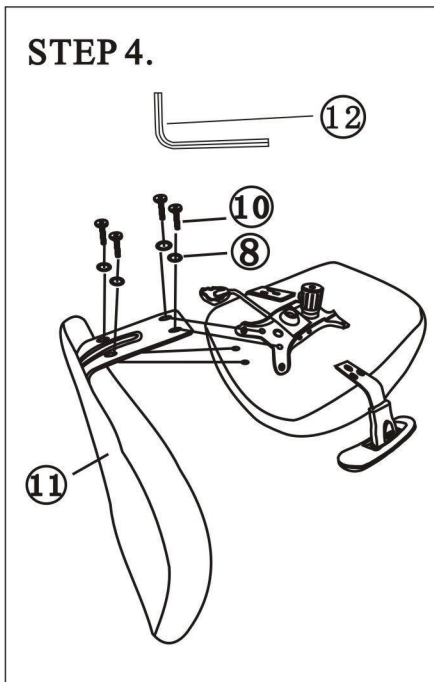
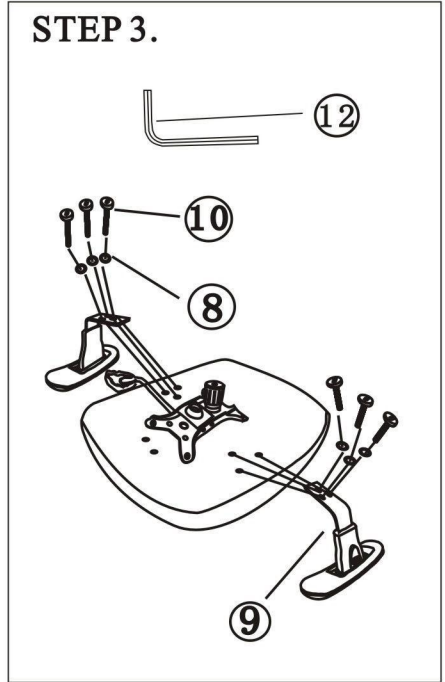
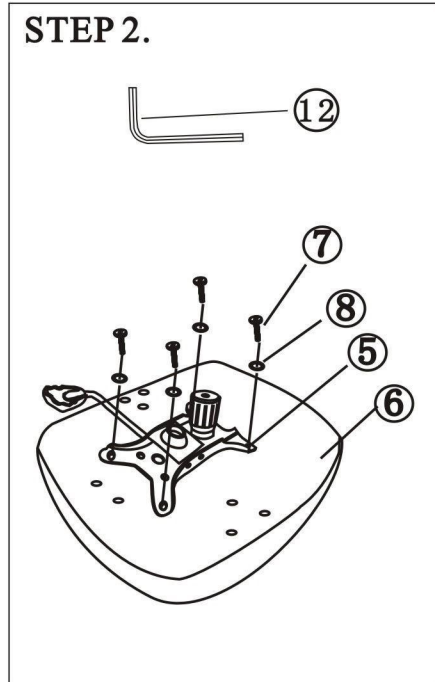
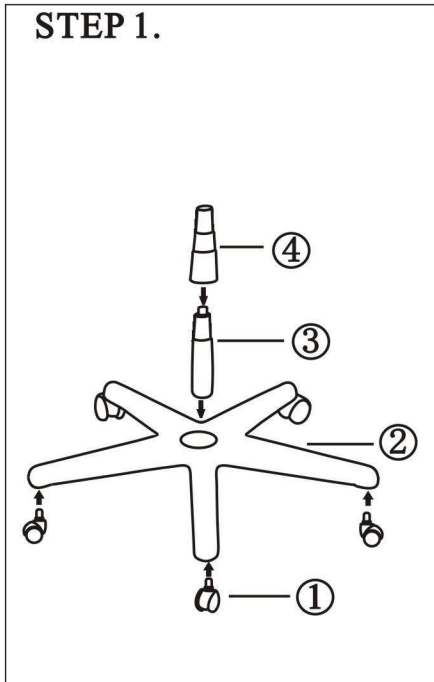
MT 5241

ASSEMBLY INSTRUCTION

REMOVE ALL ITEMS FROM THE CARTON . VERIFY ALL PIECES BEFORE ASSEMBLY.

PARTS LIST

KEY	QTY	DESCRIPTION	KEY	QTY	DESCRIPTION	KEY	QTY	DESCRIPTION
1	5	CASTER	6	1	SEAT CUSHION	11	1	BACK CUSHION
2	1	BASE	7	5	SCREWS 1/4" X 3/4"	12	1	ALLEN WRENCH
3	1	SEAT POST	8	15	WASHER			
4	1	SEAT POST COVER	9	1	SET ARM			
5	1	SEAT PLATE	10	11	SCREWS 1/4" X 1"			



PREVENTIVE MAINTENANCE AND WARNING

- USE THIS PRODUCT ONLY FOR SEATING ONE PERSON AT A TIME.
- DO NOT USE CHAIR AS STEP STOLL/LADDER.
- DO NOT USE CHAIR UNLESS ALL BOLTS,SCREWS ARE TIGHT.AT LEAST EVERY SIX MONTHS, CHECK ALL BOLTS,SCREWS TO BE SURE THEY ARE TIGHT.
- IF ANY PARTS ARE MISSING,BROKEN,DAMAGED OR WORN,STOP USE OF THE PRODUCT UNTIL REPAIRS ARE MADE USING FACTORY AUTHORIZED PARTS.
- FAILURE TO FOLLOW THESE WARNINGS CAN RESULT IN SERIOUS INJURY.

***** NOTICE *****
PLEASE USE THIS GREEN INSTRUCTION SHEET INSTEAD OF THE WHITE INSTRUCTION SHEET.

THANK YOU.
