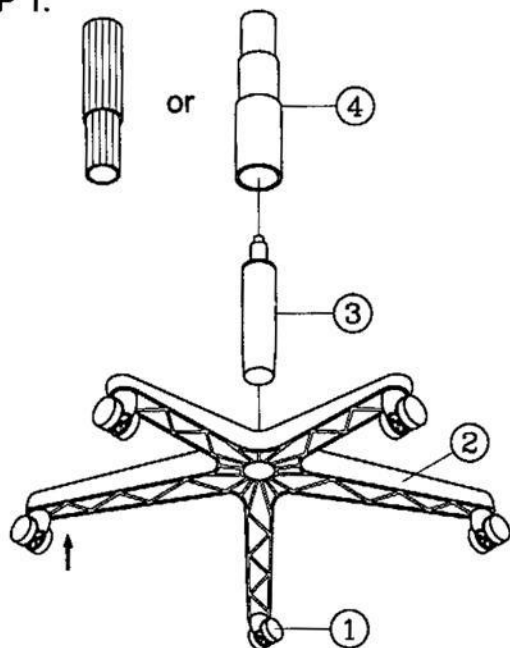


Remove all items from the carton . Verify all pieces before assembly.

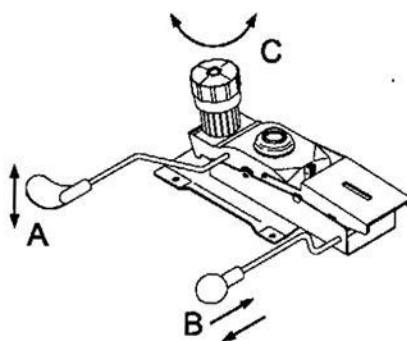
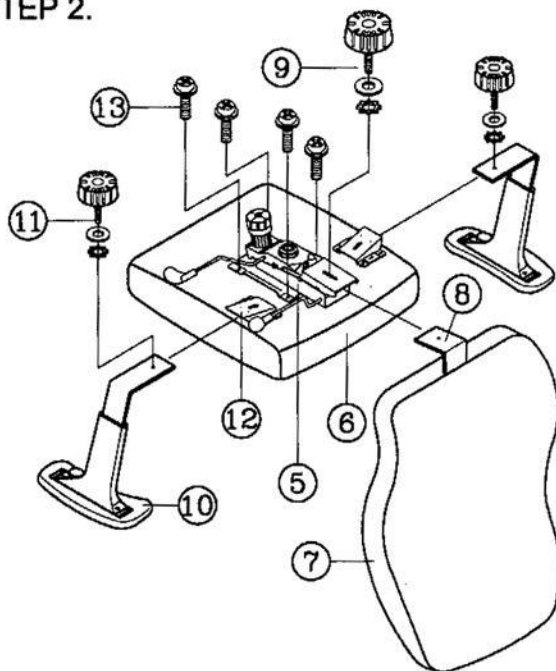
## PART LIST

KEY	QTY	DESCRIPTION	KEY	QTY	DESCRIPTION	KEY	QTY	DESCRIPTION
1	5	Caster	6	1	Seat	10	2	Armrest
2	1	Base	7	1	Backrest	11	2	Arm Width Adj. Knob + Washers
3	1	Seat Post	8	1	Backrest Plate	12	2	Arm Bracket
4	1	Seat Post Cover	9	1	Backrest Depth Adj. Knob + Washers	13	4	Mechanism Screw
5	1	Mechanism						

### STEP 1.



### STEP 2.



### MECHANISM OPERATING INSTRUCTION WHILE SEATING :

- (A) **SEAT HEIGHT ADJUSTMENT :**  
Pull lever up and downward . Release lever when desired position is reached.
- (B) **BACK TILT ADJUSTMENT :**  
Pull lever horizontally . Move backrest to tilt . To lock in upright position , push lever in.
- (C) **TILT TENSION ADJUSTMENT KNOB :**  
Rotate knob clockwise / counterclockwise to adjust tilt tension based on body weight.

### PREVENTIVE MAINTENANCE AND WARNING!

- USE THIS PRODUCT ONLY FOR SEATING ONE PERSON AT A TIME.
- DO NOT USE THIS CHAIR AS A STEP STOOL / LADDER.
- DO NOT USE CHAIR UNLESS ALL BOLTS , SCREWS AND KNOBS ARE TIGHTENED . AT LEAST EVERY SIX MONTHS , CHECK ALL BOLTS , SCREWS AND KNOBS TO BE SURE THEY ARE TIGHT.
- IF ANY PARTS ARE MISSING , DAMAGED OR WORN , STOP USE OF THE PRODUCT UNTIL REPAIRS ARE MADE USING FACTORY AUTHORIZED PARTS.
- FAILURE TO FOLLOW THESE WARNINGS COULD RESULT IN SERIOUS INJURY.

FM5505 / MM5506 / LM5507